

4 Channel Relay Driver

ASM/RL4

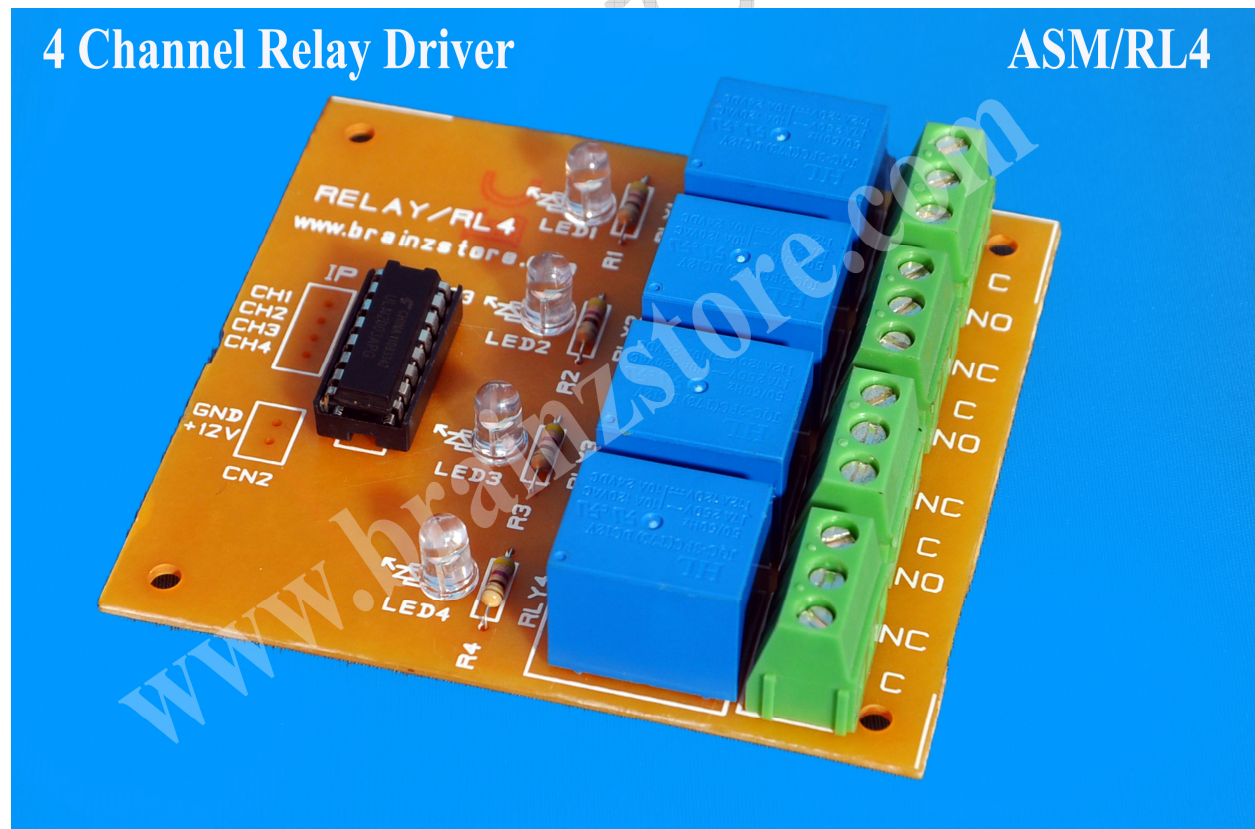
(Fully/semi assembled)

This circuit board is widely for switching Electrical load via Microcontroller or any other means (TTL logic). By this PCB one can able to switch ON/OFF up to 4 Electrical appliances.

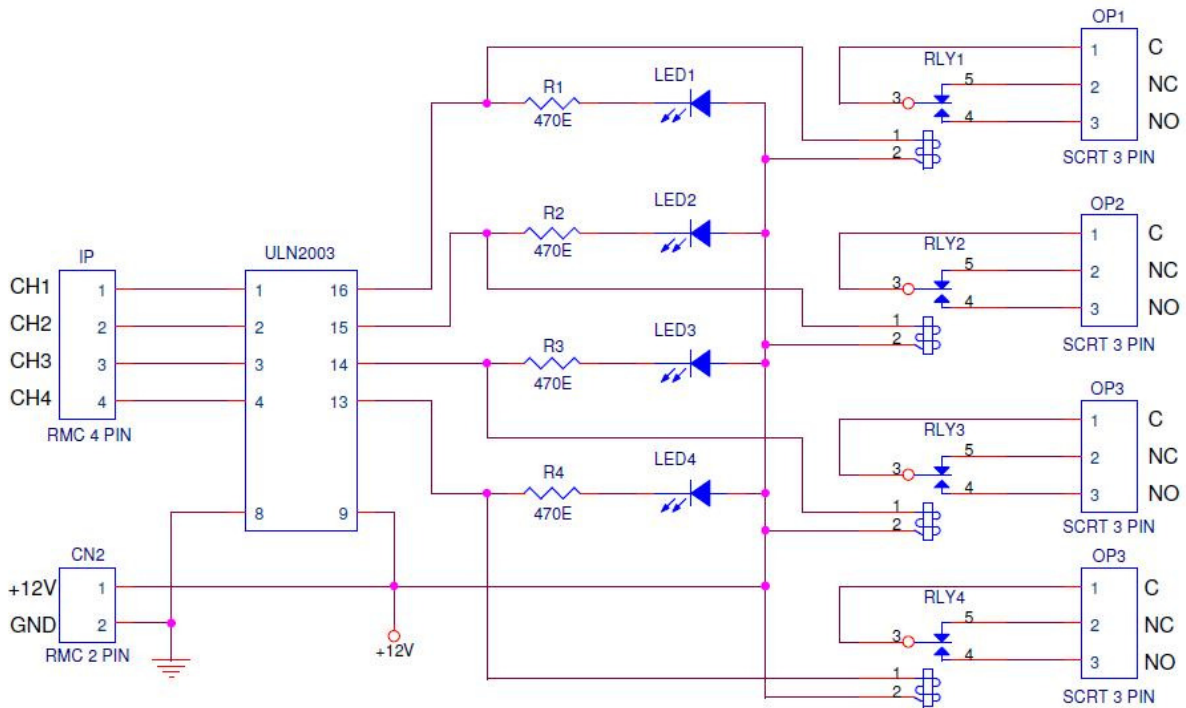
Rather than use individual Darlington transistors, you can use an integrated circuit specially designed for driving high-current loads from TTL-level inputs. The most common ICs of this type is ULN2003, which has 7 Darlington drivers in a 16-pin DIP package.

Dimension:

10 * 8.5 cm



Circuit:



www.brainzstore.com

Components:

IC1	-----	ULN2003
Resistor R1-R4	-----	470E
RLY1- RLY4	-----	Cube relay (12V/7A)
CH1-CH4	-----	Input (From Microcontroller or switch) +5V max
CN2	-----	+12V DC voltage
LED1-4	-----	5 mm LED
OP1-OP4	-----	Output connector (5082/V3 Connector)